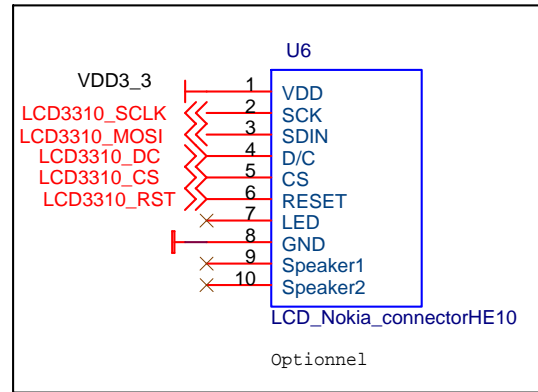
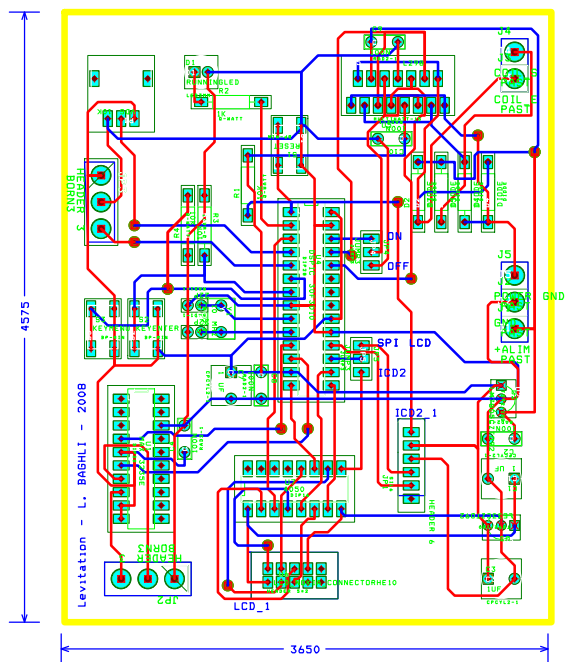


Title		Levitation	
Size	A4	Document Number	1.1
Date:	Thursday, February 07, 2008	Sheet	1 of 2
		Rev	Lotfi



Title		
<Title>		
Size	Document Number	Rev
A	<Doc>	<RevCode>
Date:	Thursday, February 07, 2008	Sheet 2 of 2



DRILL CHART				
SYM	DIAM	TOL	QTY	NOTE
■	0.020		12	
x	0.031		6	
+	0.034		135	
◇	0.040		23	
■	0.046		11	
TOTAL			187	

